



**Atlantic Wholesale  
Doors & Millwork**

665 Lincoln Ave.  
Summerville, SC 29485  
www.atlanticws.com

**Request a Quote**  
millworkquotes@atlanticws.com  
854-800-4180

# Architectural Millwork







## Architectural Millwork

<b>6</b>	<b>Interior Trim and Moulding</b>
7–8	Base Board
9	Base Cap
10	Casing
11	Back Band
12	Cove
14–15	Crown / Bed
16–17	Tongue and Groove
18–21	Misc Moulding and Sticking
22	Bull Nose
<b>24</b>	<b>Exterior Trim and Moulding</b>
25	Window Sill and Drip Cap
26	Railing
27	Crown / Bed
<b>28</b>	<b>Specialty Millwork</b>





At Atlantic Wholesale Doors & Millwork, we are the Southeast's premier destination for architectural wood products. Our mission is to consistently deliver top-quality, custom mouldings and specialty millwork that exceed your expectations. With a relentless commitment to innovation, communication, and flexibility, we pride ourselves on being your one-stop source for wood products. Our in-house tooling and extensive stock of wood species enable us to craft custom profiles and provide timely solutions for your projects. We stand ready to meet your unique needs and help you bring your vision to life.

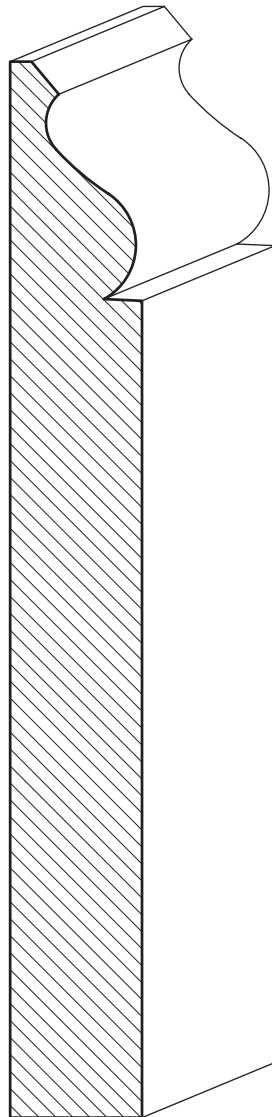
# Interior Trim and Moulding



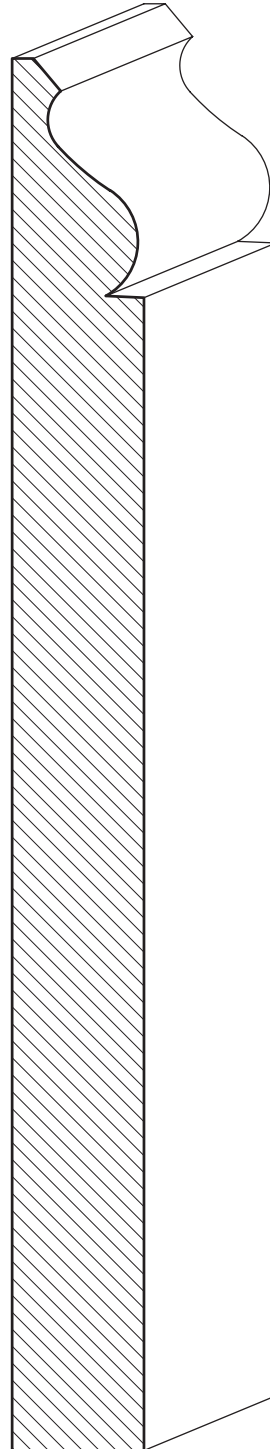


# Interior Trim and Moulding Base Board

STK = Stock  
MTO = Made To Order



**AW1216**  
Width: 5 1/4"  
Thickness: 9/16"  
Poplar (STK)

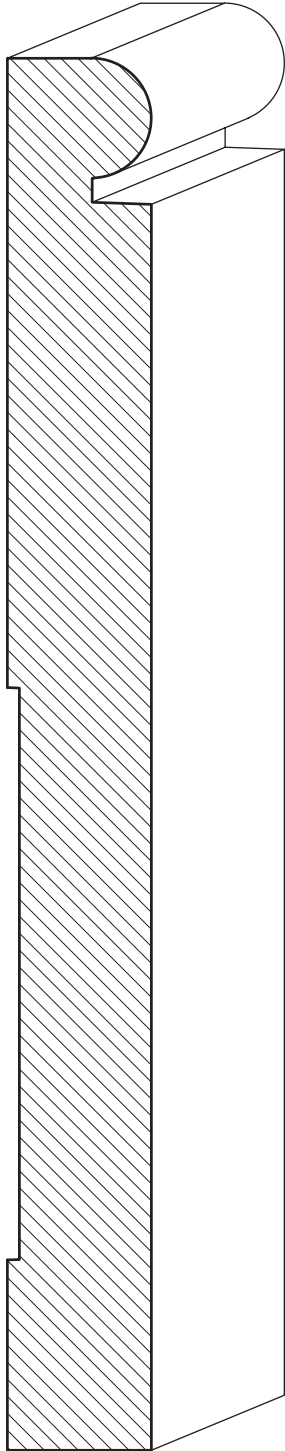


**AW1218**  
Width: 7 1/4"  
Thickness: 11/16"  
Poplar (STK)

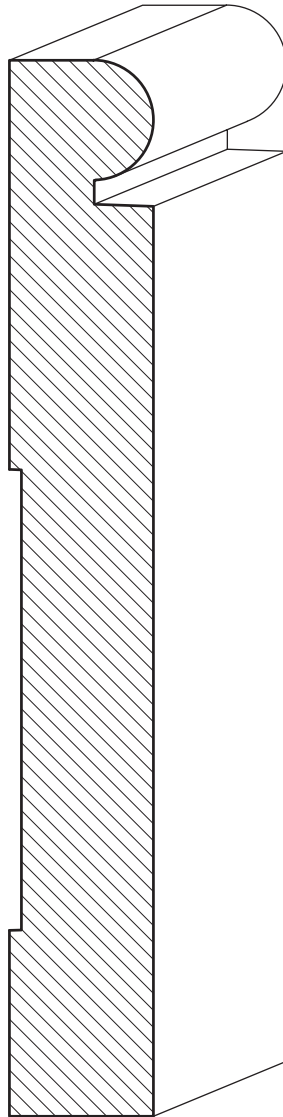


# Interior Trim and Moulding Base Board

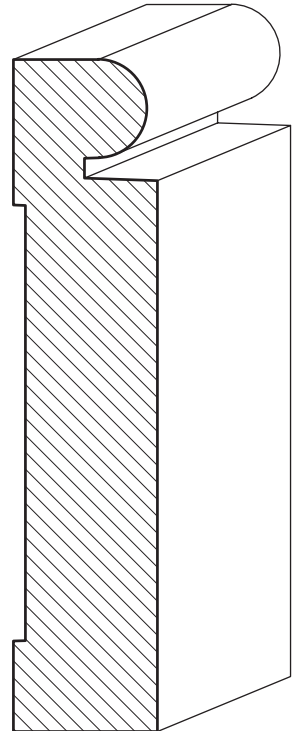
STK = Stock  
MTO = Made To Order



**AW1028**  
Width: 7 1/4"  
Thickness: 3/4"  
Poplar (STK)



**AW1026**  
Width: 5 1/2"  
Thickness: 3/4"  
Poplar (MTO)



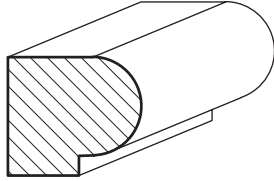
**AW1024**  
Width: 3 1/2"  
Thickness: 3/4"  
Poplar (STK)



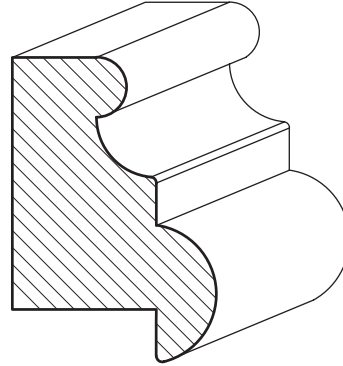


# Interior Trim and Moulding Base Cap

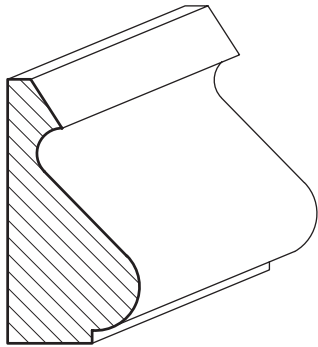
STK = Stock  
MTO = Made To Order



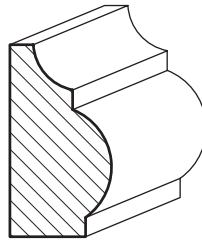
**AW1701**  
Width: 5/8"  
Thickness: 11/16"  
Poplar (STK)



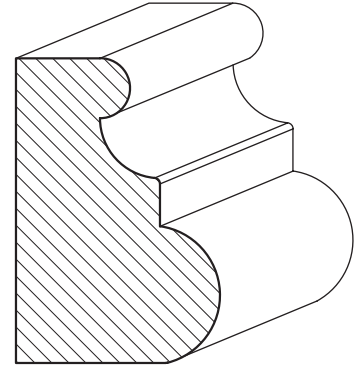
**AW1742**  
Width: 1 19/32"  
Thickness: 1 1/16"  
Poplar (MTO)



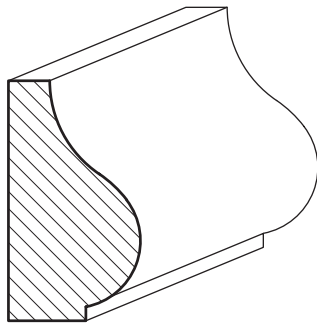
**AW1763**  
Width: 1 3/8"  
Thickness: 11/16"  
Poplar (STK)



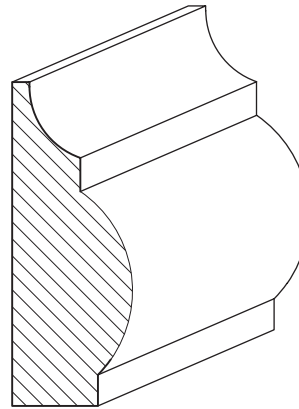
**AW1731**  
Width: 1"  
Thickness: 9/16"  
Poplar (MTO)



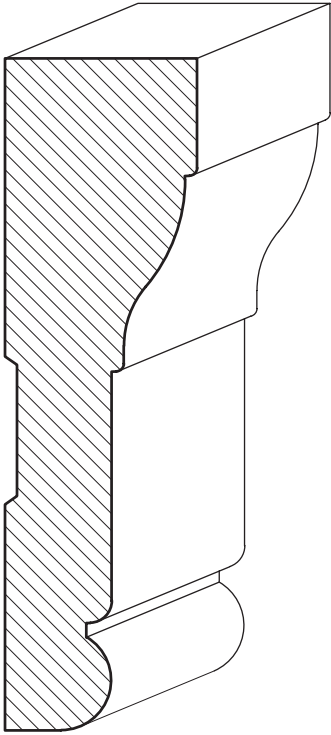
**AW1842**  
Width: 1 19/32"  
Thickness: 1 1/16"  
Poplar (MTO)



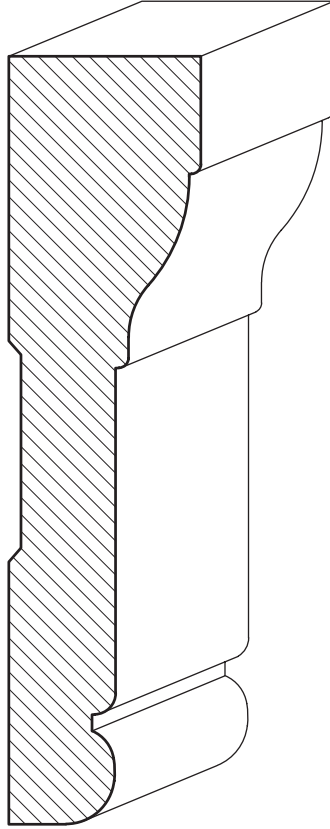
**AW1766**  
Width: 1 1/4"  
Thickness: 11/16"  
Poplar (MTO)



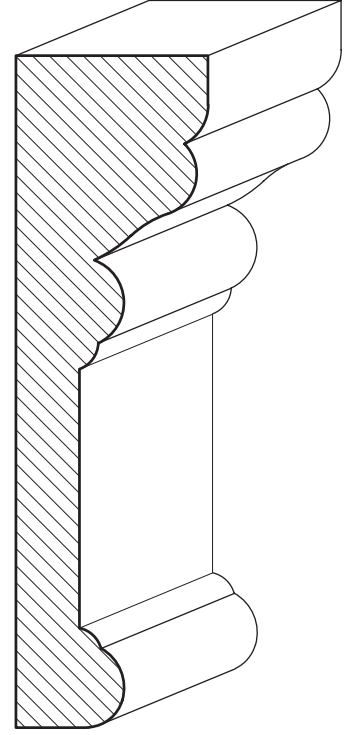
**AW1712**  
Width: 1 7/8"  
Thickness: 7/8"  
Poplar (MTO)



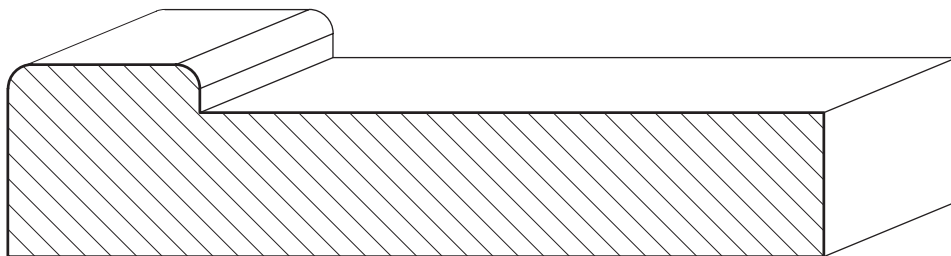
**AW2103**  
Width: 3 1/2"  
Thickness: 1"  
Poplar (STK)



**AW2104**  
Width: 4"  
Thickness: 1"  
Poplar (STK)



**AW2254**  
Width: 3 1/2"  
Thickness: 1"  
Poplar (MTO)

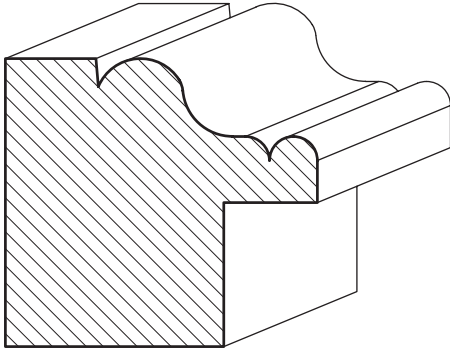


**AW2080**  
Width: 4 1/4"  
Thickness: 1"  
Poplar (MTO)

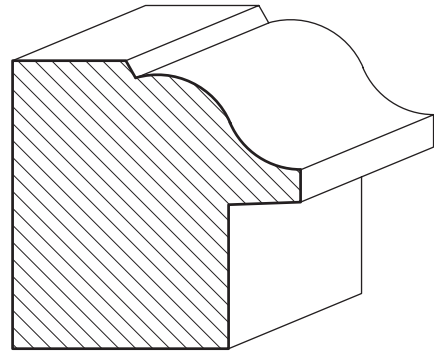


# Interior Trim and Moulding Back Band

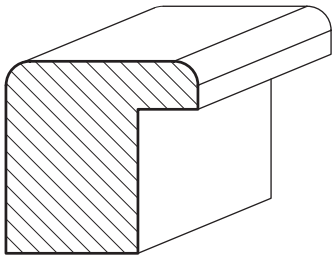
STK = Stock  
MTO = Made To Order



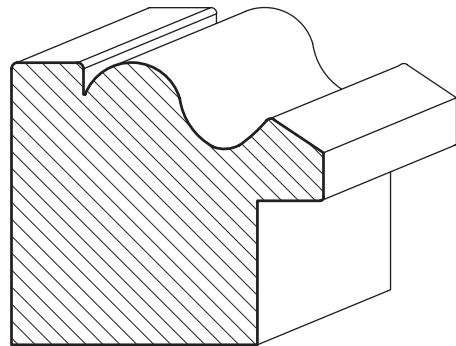
**AW2702**  
Width: 1 5/8"  
Thickness: 1 1/2"  
Rabbet: 3/4"  
Poplar (MTO)



**AW2712**  
Width: 1 1/2"  
Thickness: 1 1/2"  
Rabbet: 3/4"  
Poplar (MTO)



**AW2780**  
Width: 1"  
Thickness: 1"  
Rabbet: 3/4"  
Poplar (STK)



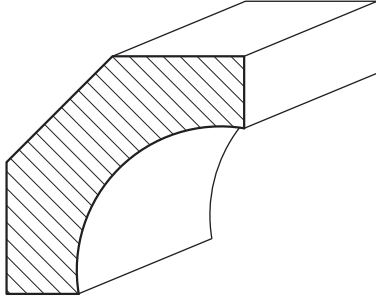
**AW2721**  
Width: 1 5/8"  
Thickness: 1 15/32"  
Rabbet: 3/4"  
Poplar (STK)



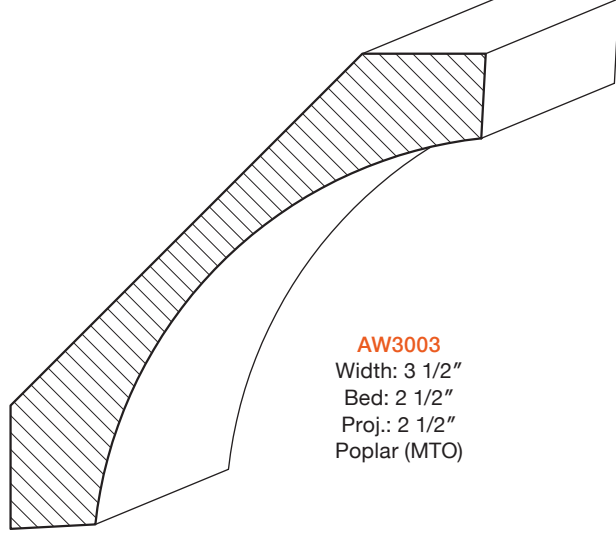
# Interior Trim and Moulding

## Cove

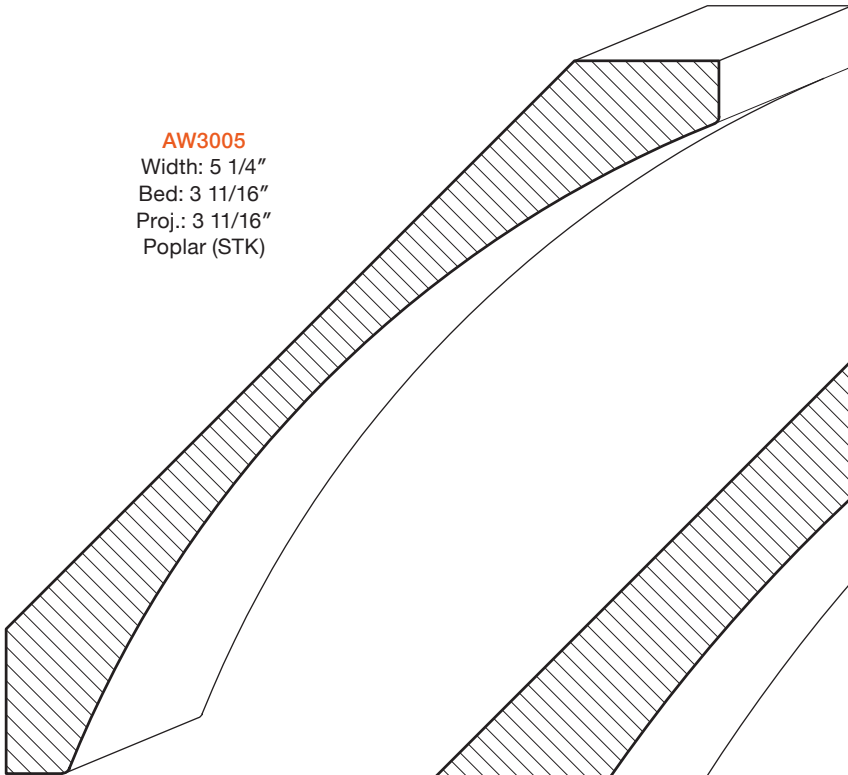
STK = Stock  
MTO = Made To Order



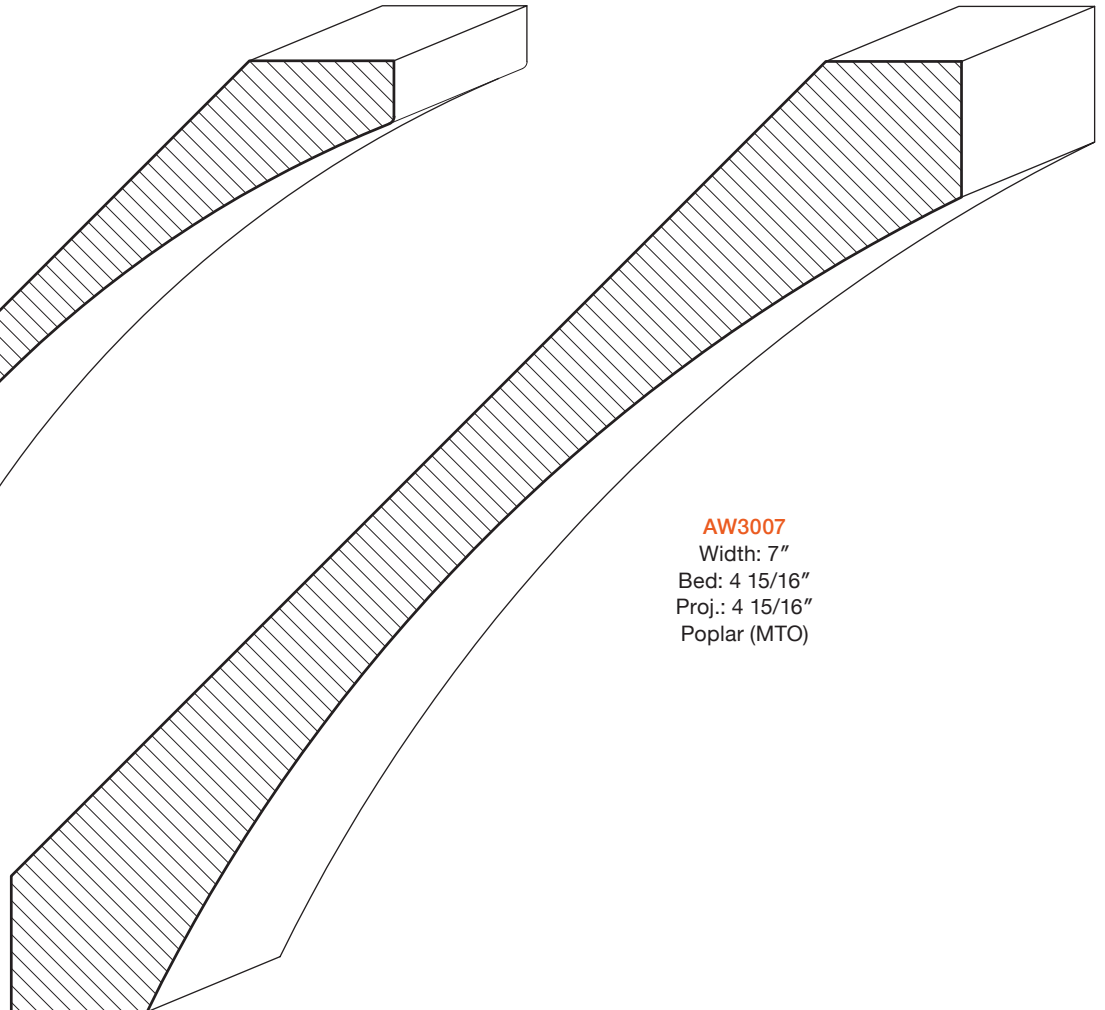
**AW3000**  
Width: 1 3/4"  
Bed: 1 1/4"  
Proj.: 1 1/4"  
Poplar (STK)



**AW3003**  
Width: 3 1/2"  
Bed: 2 1/2"  
Proj.: 2 1/2"  
Poplar (MTO)



**AW3005**  
Width: 5 1/4"  
Bed: 3 11/16"  
Proj.: 3 11/16"  
Poplar (STK)



**AW3007**  
Width: 7"  
Bed: 4 15/16"  
Proj.: 4 15/16"  
Poplar (MTO)

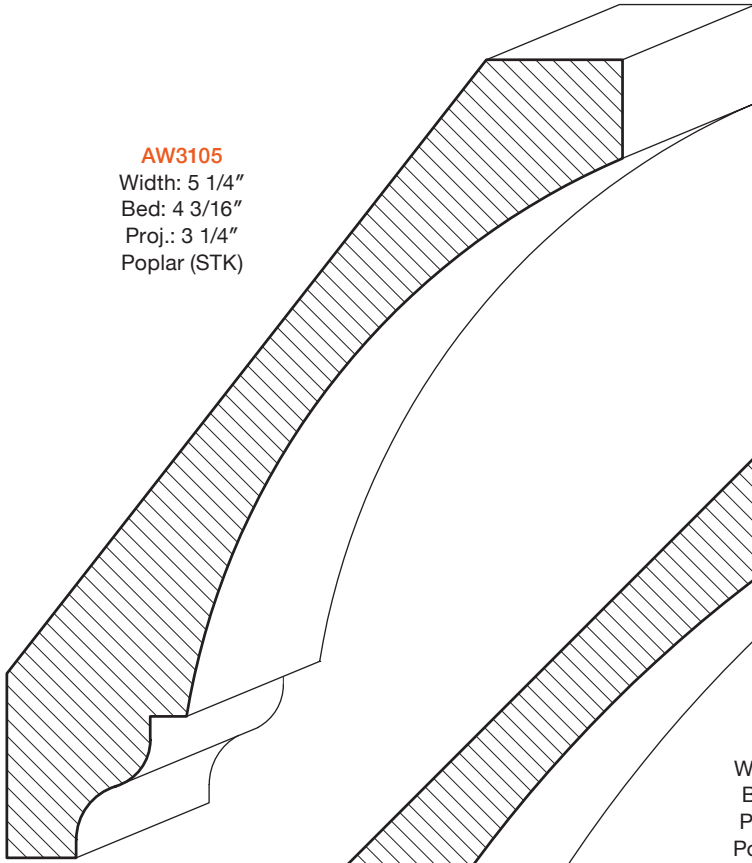




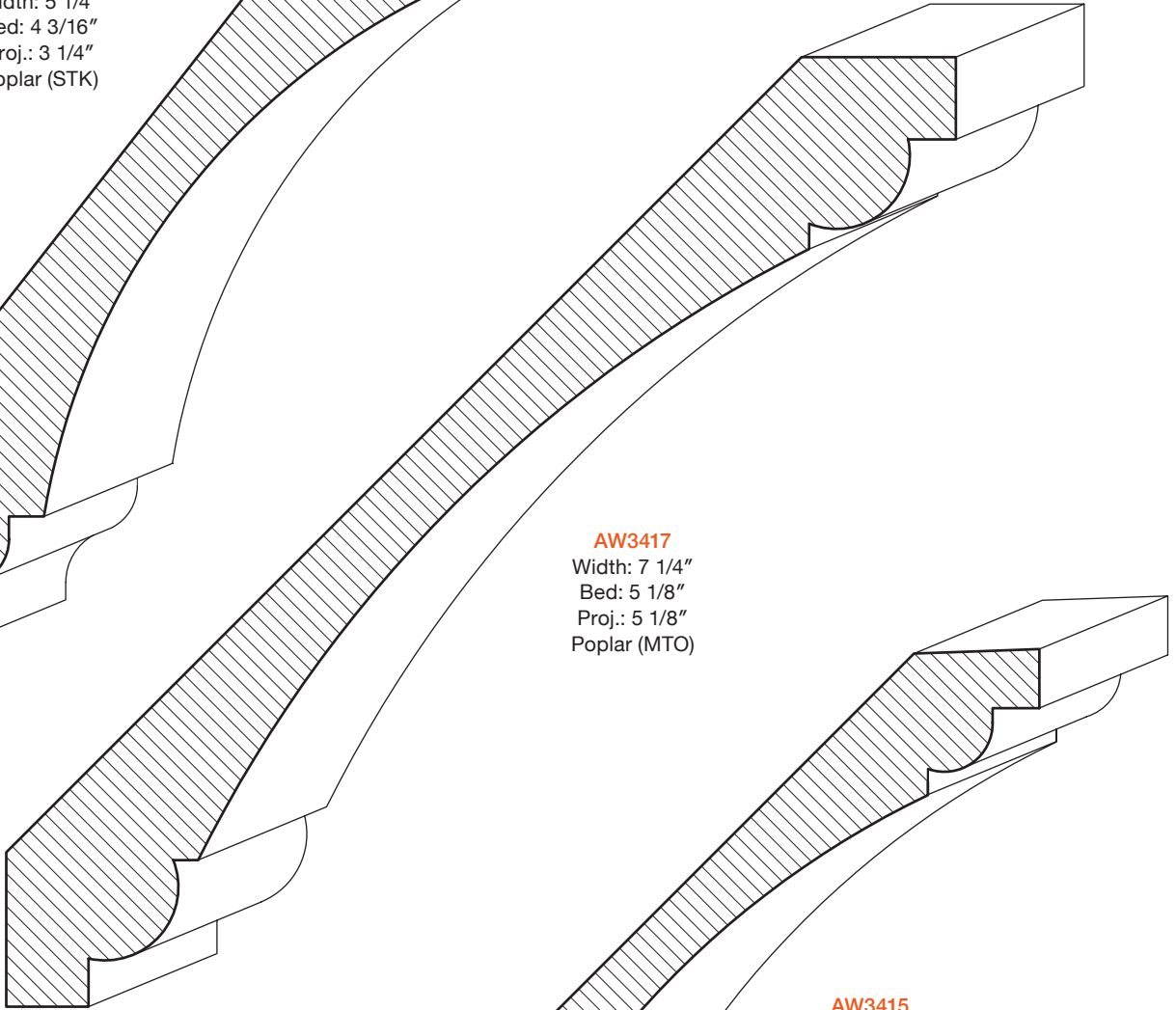
# Interior Trim and Moulding Crown / Bed

STK = Stock  
MTO = Made To Order

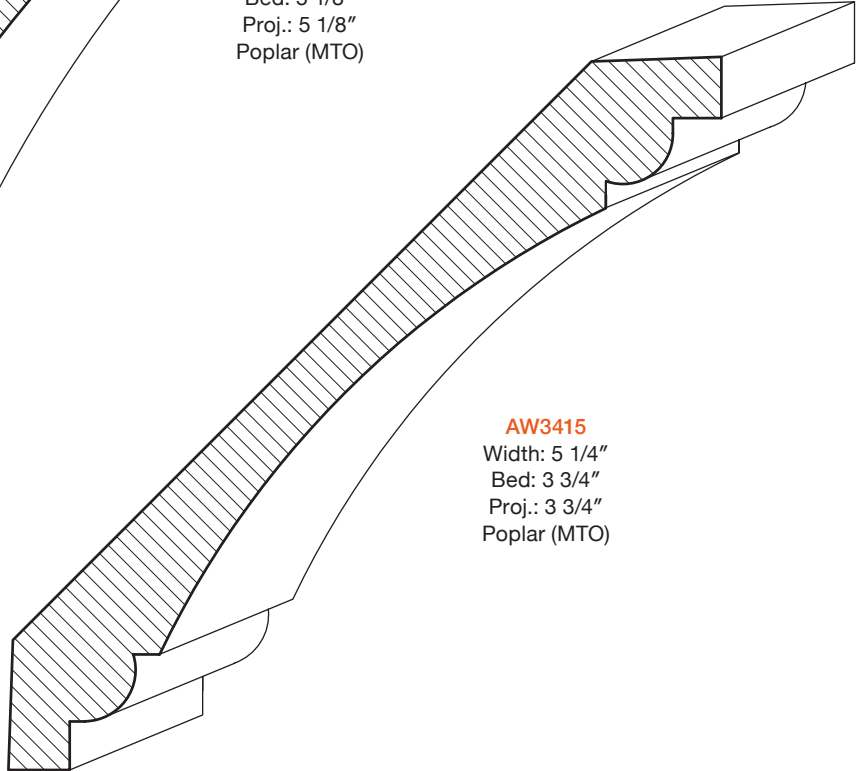
**AW3105**  
Width: 5 1/4"  
Bed: 4 3/16"  
Proj.: 3 1/4"  
Poplar (STK)



**AW3417**  
Width: 7 1/4"  
Bed: 5 1/8"  
Proj.: 5 1/8"  
Poplar (MTO)



**AW3415**  
Width: 5 1/4"  
Bed: 3 3/4"  
Proj.: 3 3/4"  
Poplar (MTO)



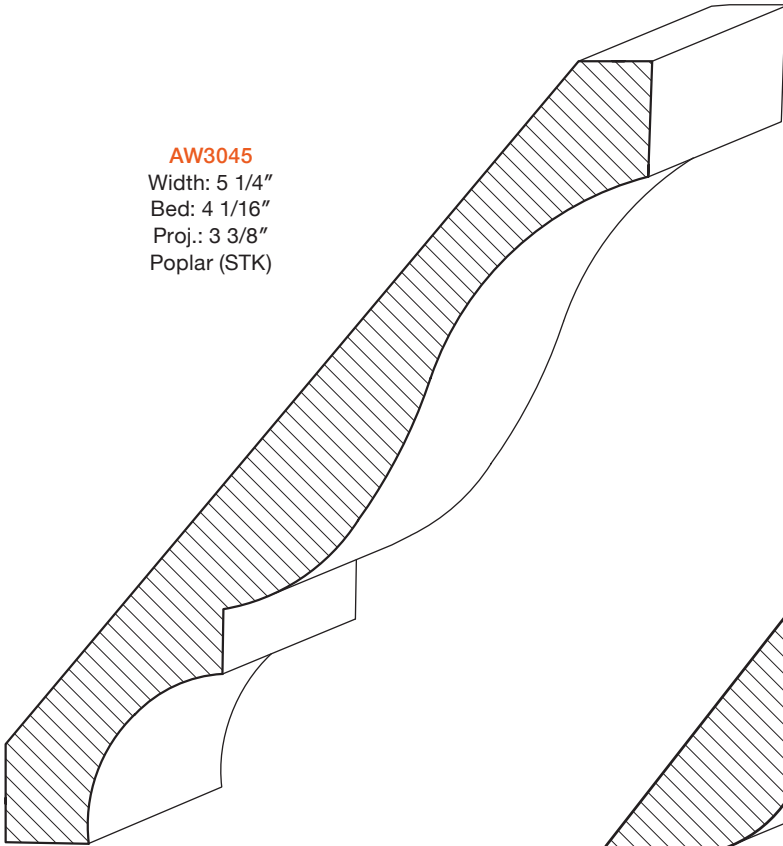


# Interior Trim and Moulding Crown / Bed

STK = Stock  
MTO = Made To Order

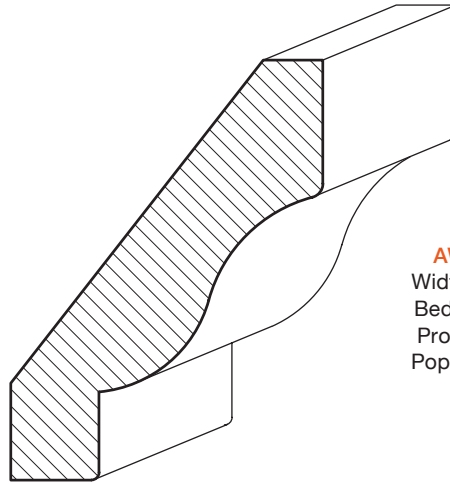
## AW3045

Width: 5 1/4"  
Bed: 4 1/16"  
Proj.: 3 3/8"  
Poplar (STK)



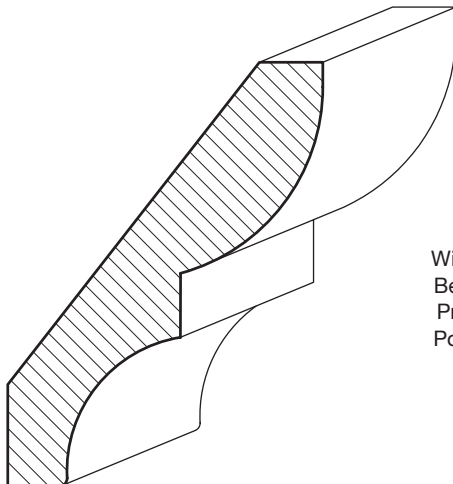
## AW3972

Width: 2 3/4"  
Bed: 2 3/16"  
Proj.: 1 5/8"  
Poplar (MTO)



## AW3976

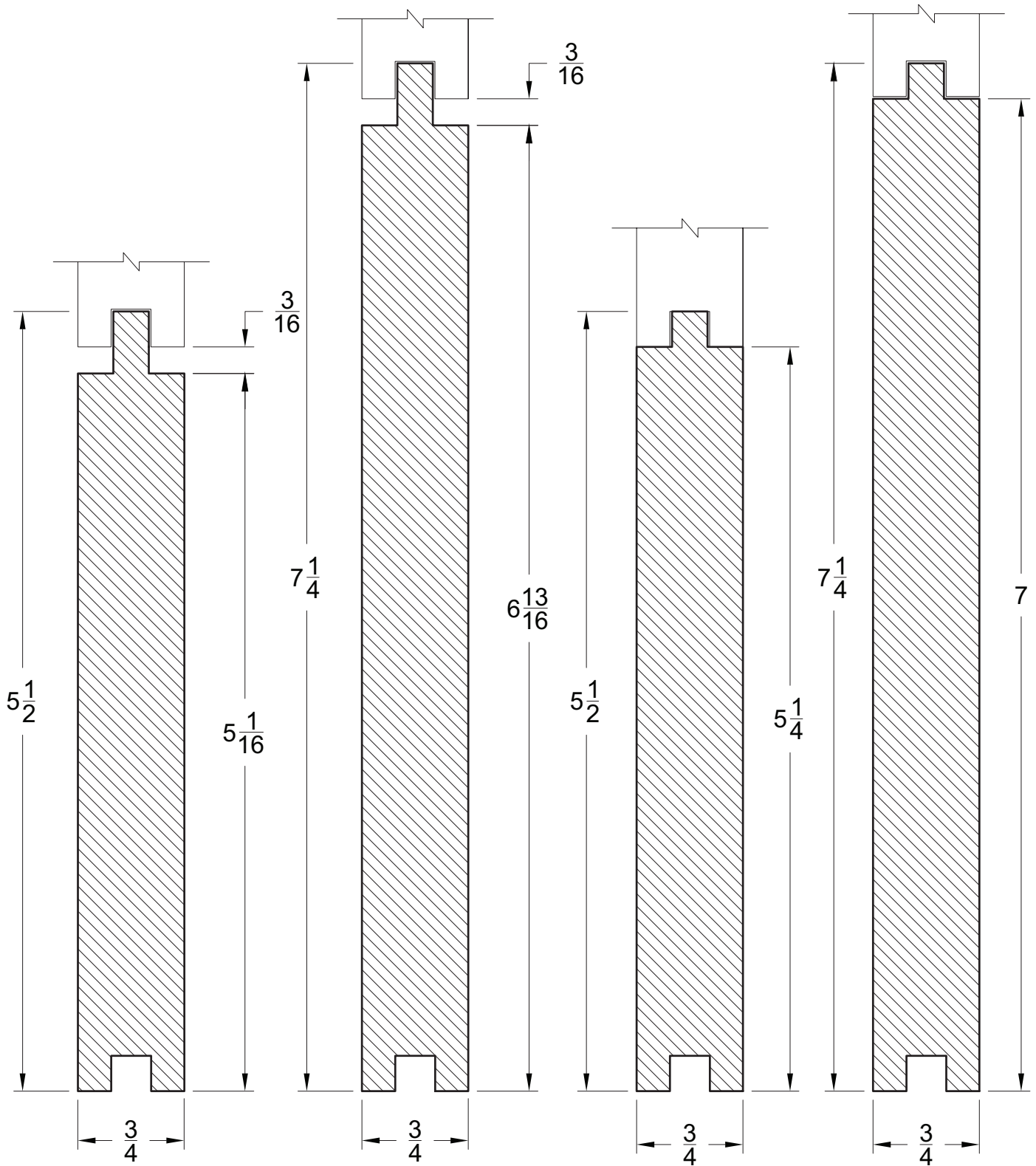
Width: 2 3/4"  
Bed: 2 3/16"  
Proj.: 1 5/8"  
Poplar (STK)





# Interior Trim and Moulding Tongue and Groove

STK = Stock  
MTO = Made To Order



**AW5326**  
Poplar (STK)

**AW5328**  
Poplar (MTO)

**AW5116**  
Poplar (MTO)  
SYP (MTO)

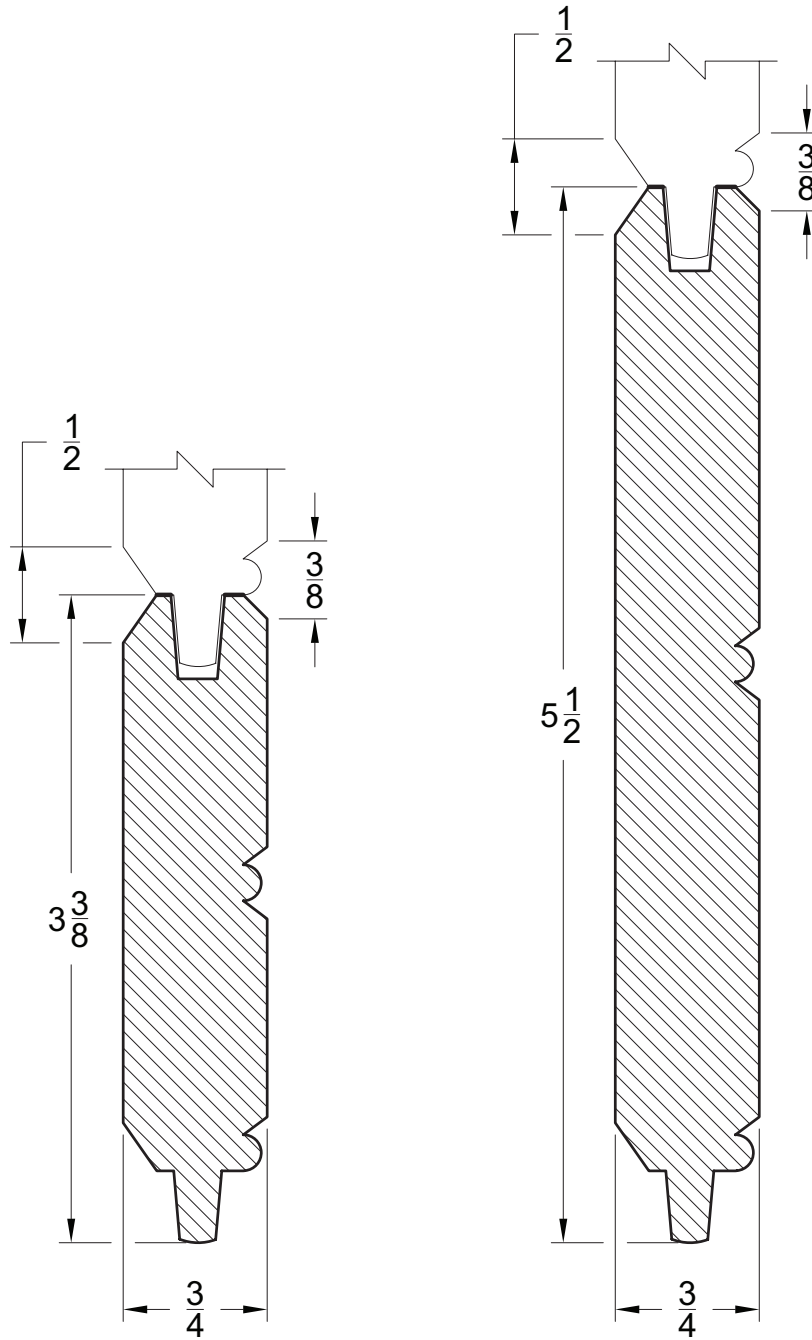
**AW5118**  
Poplar (MTO)





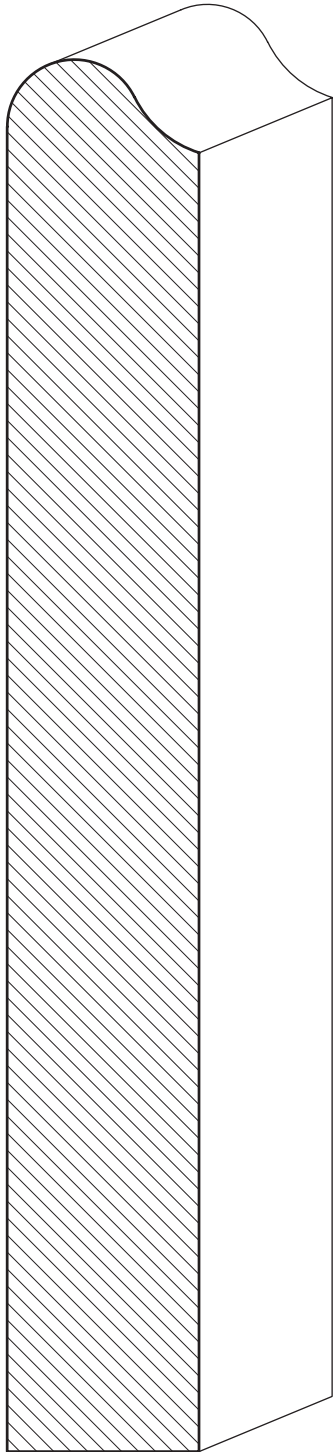
# Interior Trim and Moulding Tongue and Groove

STK = Stock  
MTO = Made To Order

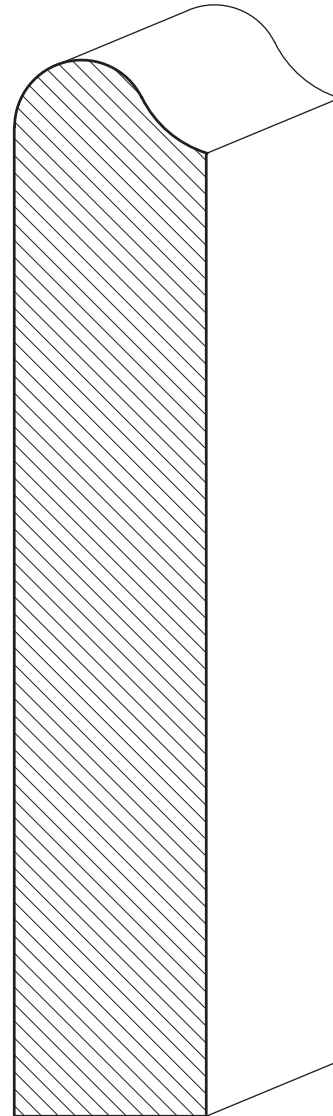


**AW5224**  
Poplar (MTO)  
SYP (MTO)

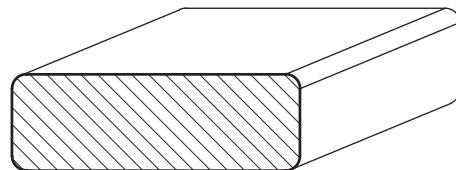
**AW5226**  
Poplar (MTO)  
SYP (STK)



**AW5708**  
Width: 7 1/4"  
Thickness: 1"  
Poplar (MTO)



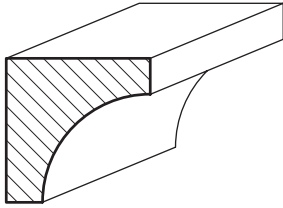
**AW5706**  
Width: 5 1/2"  
Thickness: 1"  
Poplar (STK)



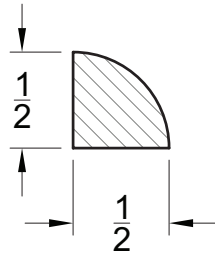
**AW7024**  
Width: 1 1/2"  
Thickness: 1/2"  
Poplar (MTO)



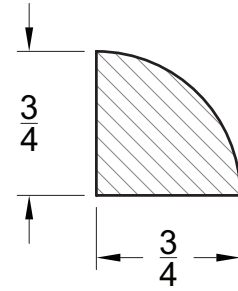




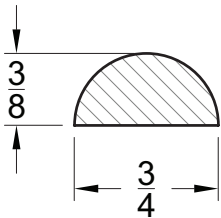
**AW4034**  
Width: 3/4"  
Thickness: 3/4"  
Poplar (STK)



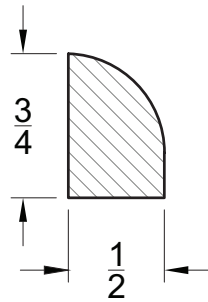
**AW6002**  
1/4" ROUND  
Poplar (MTO)



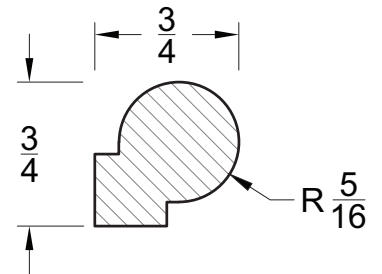
**AW6003**  
1/4" ROUND  
Poplar (STK)



**AW6011**  
1/2" ROUND  
Poplar (STK)



**AW4500**  
SHOE  
Poplar (STK)



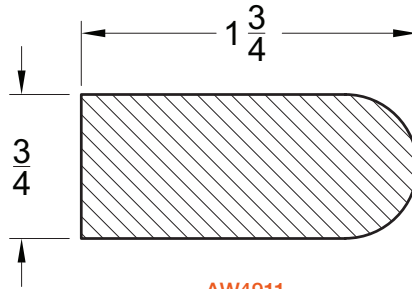
**AW6334**  
3/4" PENCIL MOULD  
Poplar (STK)



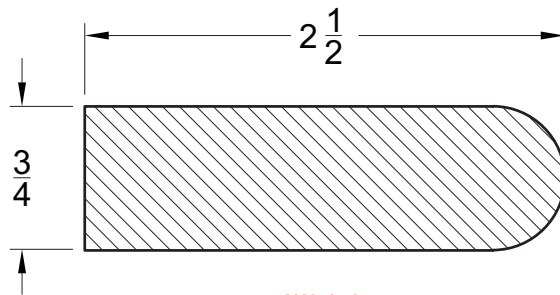
# Interior Trim and Moulding

## Bull Nose

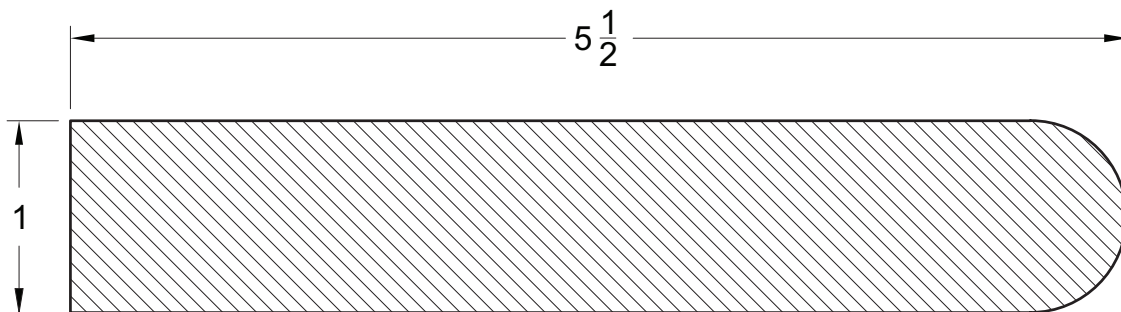
STK = Stock  
MTO = Made To Order



**AW4911**  
Poplar (MTO)



**AW4913**  
Poplar (STK)



**AW4906**  
Poplar (MTO)



# Exterior Trim and Moulding



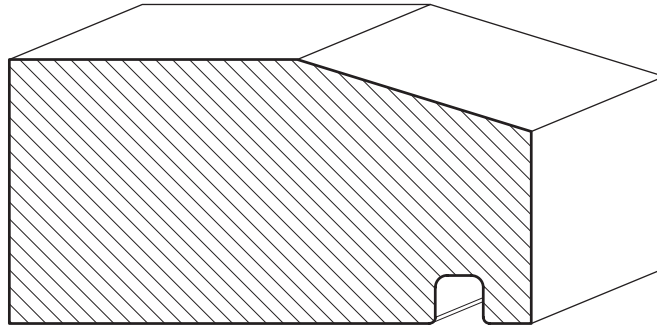




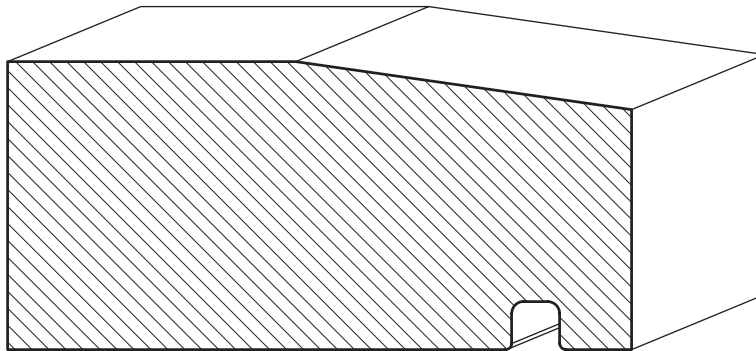
# Exterior Trim and Moulding

## Window Sill and Drip Cap

STK = Stock  
MTO = Made To Order



**AW2081**  
Width: 2 3/4"  
Thickness: 1 3/8"  
TR Pine (MTO)

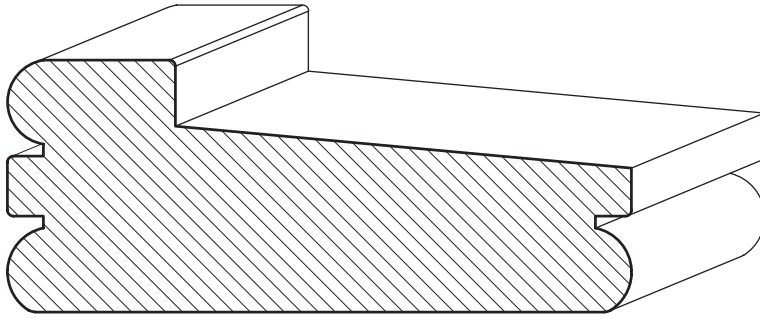


**AW2082**  
Width: 3 3/4"  
Thickness: 1 1/2"  
TR Pine (MTO)

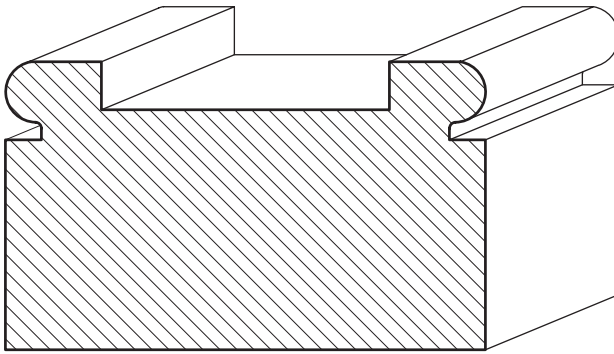


# Exterior Trim and Moulding Railing

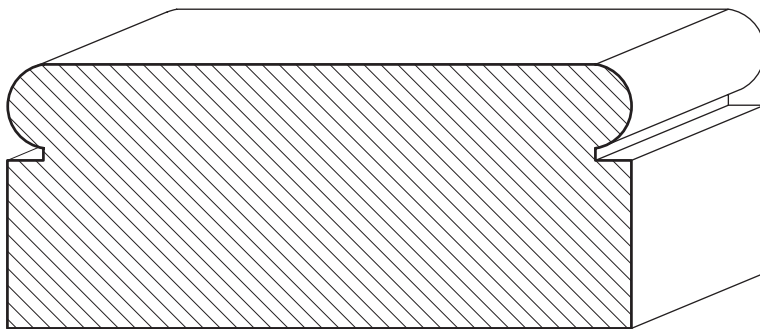
STK = Stock  
MTO = Made To Order



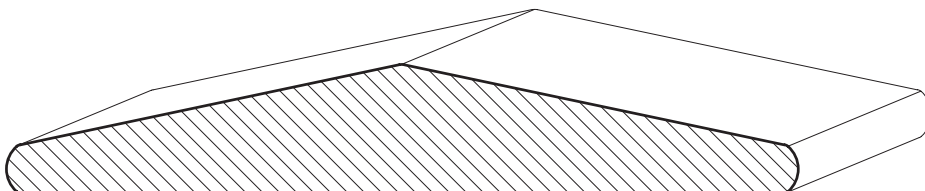
**AW2083**  
Width: 3 1/4"  
Thickness: 1 5/16"  
TR Pine (MTO)



**AW2084**  
Width: 2 1/2"  
Thickness: 1 1/2"  
TR Pine (MTO)



**AW2085**  
Width: 3 1/4"  
Thickness: 1 3/8"  
TR Pine (MTO)



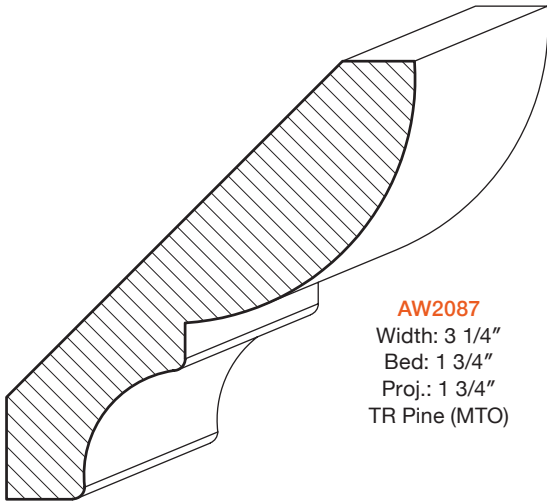
**AW2086**  
Width: 4 1/8"  
Thickness: 1 1/16"  
TR Pine (MTO)



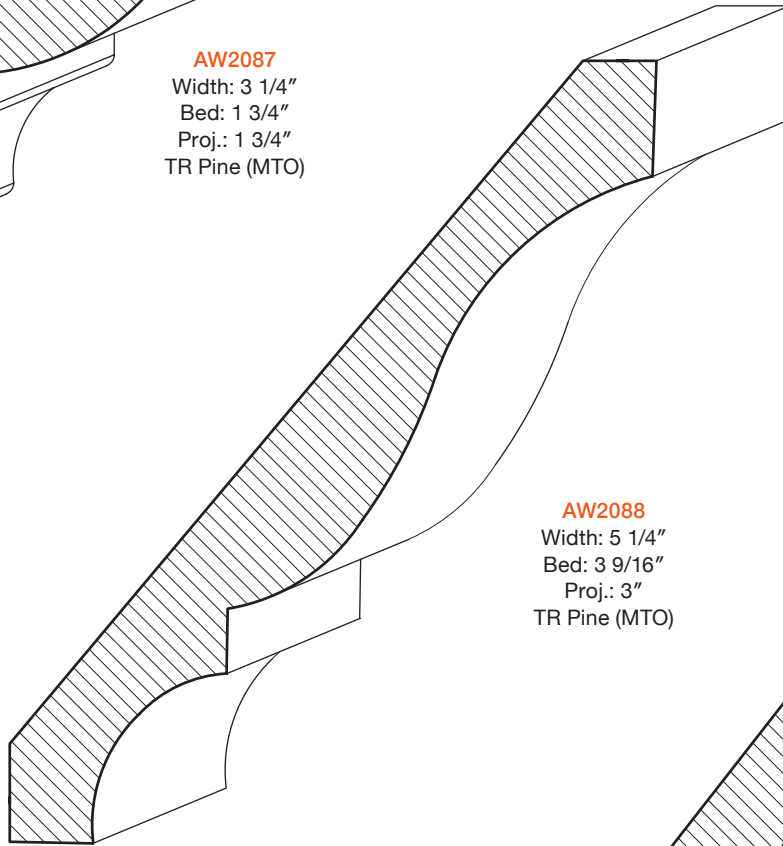
# Exterior Trim and Moulding

## Crown / Bed

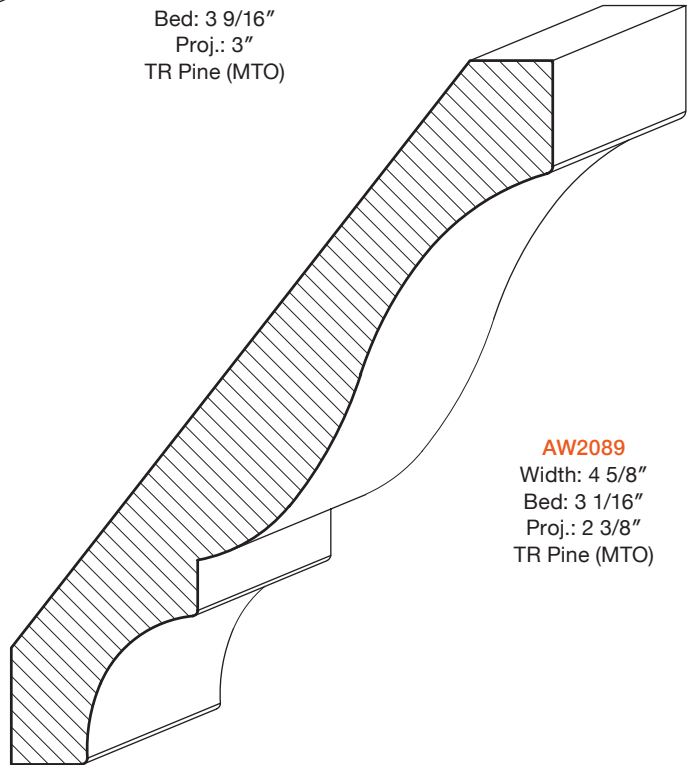
STK = Stock  
MTO = Made To Order



**AW2087**  
Width: 3 1/4"  
Bed: 1 3/4"  
Proj.: 1 3/4"  
TR Pine (MTO)



**AW2088**  
Width: 5 1/4"  
Bed: 3 9/16"  
Proj.: 3"  
TR Pine (MTO)



**AW2089**  
Width: 4 5/8"  
Bed: 3 1/16"  
Proj.: 2 3/8"  
TR Pine (MTO)

# Specialty Millwork





The artisans in our specialty department focus on the critical details. These details allow us to make visions become reality. We use innovative techniques, as well as craftsmen, to create masterpieces out of wood. The below list are a few examples of what we make. Please give us the opportunity to create your millwork vision.

- Lock Miter Beams & Columns
- CNC Panels (MDF & Wood)
- Stair Parts & Components
- Curved Profiles for Arched Opening's and Curved Walls
- Bent Headers (MDF & Wood)



# Ordering Information Arched Casings and Bentwood Jamb Heads

## Ordering Arch Casings

Specify:

- Quantity
- Profile (on arched casings)
- Specie
- Inside Diameter (ID)
- Inside Radius
- “Bandsawn”, “Bentwood”, or “Finger Joint”
- Reveal Information (on arched casings) Always note whether or not it has been added; if not already added, note how much we need to add.
- Any special instructions

*If the arch is a true half circle, we do not need a template. On a true half circle, the inside radius dimension is always half of the inside diameter.*

### Examples of ordering a True Half Circle

- 2 - 2104CA poplar arched casing, 72” inside diameter, 36” radius, add 1/4” reveal (put any special instructions at the end, such as “bentwood”)
- 1 - 4 5/8” poplar bentwood jamb head, 60” inside diameter, 30” radius

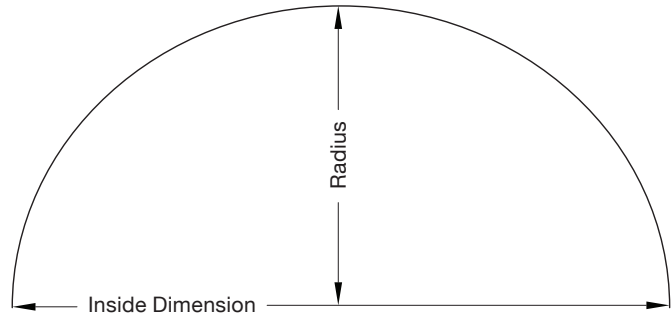
### Examples of ordering a “Segment” of a True Half Circle

- 2 - 2104CA poplar arched casing segment, 72” inside dimension, 12” rise, do not add for reveal (put any special instructions at the end, such as “bentwood”)
- 1 - 6 9/16” Finger Joint MDF jamb head segment, 56” ID, 28” radius, 5” rise

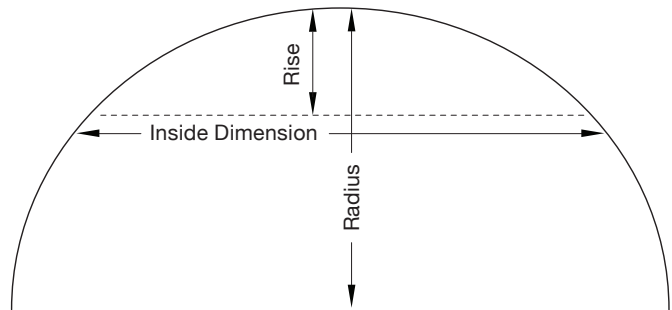
### Examples of ordering an Elliptical or “Gothic”

- 2 - 2104CA poplar elliptical arched casing per template
- 1 - 8 5/8” oak elliptical flat Bandsawn jamb head per template

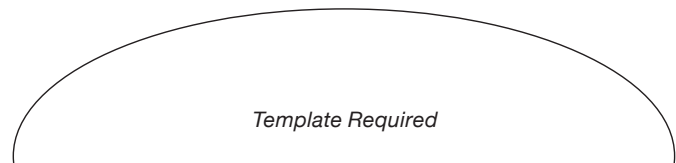
True Half Circle



Segment of a True Half Circle



Elliptical or “Gothic”







**Atlantic Wholesale**  
**Doors & Millwork**

665 Lincoln Ave.  
Summerville, SC 29485  
www.atlanticws.com

**Request a Quote**  
millworkquotes@atlanticws.com  
854-800-4180

